

THREE-PIECE HIGH PRESSURE BALL VALVE

Model : Series HP32-6000 Full Port

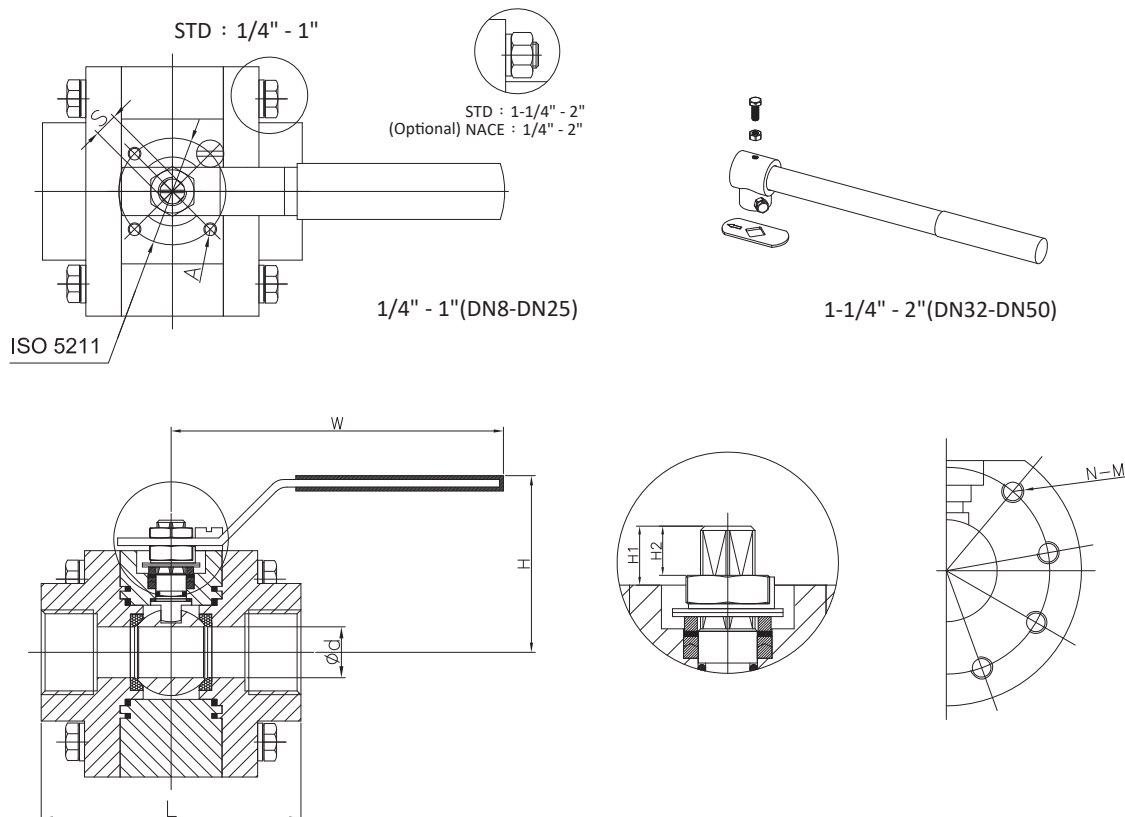
BARSTOCK

- **Body Material**
SS316, S45C
- **Size Range**
1/4" - 2" (DN8-DN50)
- **Pressure Rating**
6000 PSI@100°F; 150 PSI Saturated Steam
- **End Connection**
Female threaded to NPT, DIN 259/2999, ISO 228-1, ISO7-1, etc.
Other connections available upon request.
- **Temperature Range**
-4°F to 464°F (-20°C to 240°C) with Peek seats
-4°F to 180°F (-20°C to 80°C) with Delrin seats



• Features:

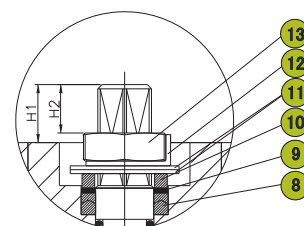
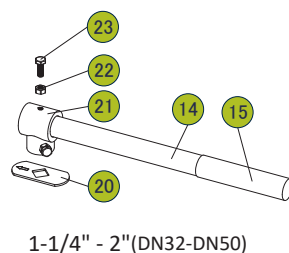
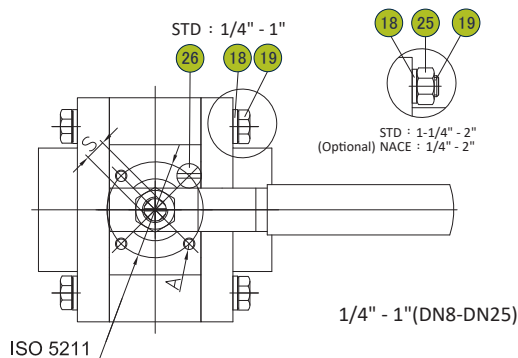
- Extremely rugged 3-piece design withstands high temperature and pressure.
- Enclosed bolt design sustains high stress and thermal shock.
- Integral ISO 5211 drilling for double & spring return actuator.
- Self-adjusting stem packing assembly with Belleville spring for temperature fluctuations, and vibration.
- Thrust washer prevents galling, reduces torque and provides secondary stem seal.
- Long cycle life, low uniform torques.
- Bottom entry blow-out proof stem design provides maximum safety.
- EN 10204-3.1 material certificate available.



THREE-PIECE HIGH PRESSURE BALL VALVE

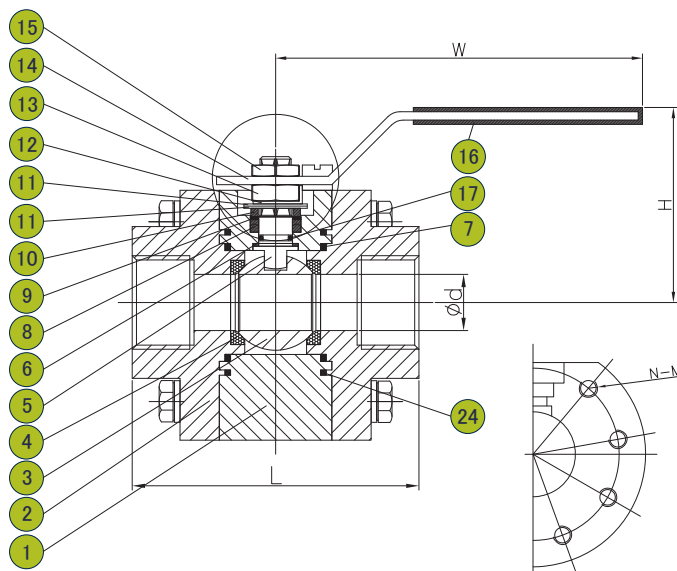
Model : Series HP32-6000 Full Port

BARSTOCK



Materials List:

NO.	PART NAME	MATERIAL
1	BODY	ANSI 316 / S45C
2	CAP	ANSI 316 / S45C
3	BALL	ASTM A351 CF8M
4	BALL SEAT	DERLIN / PEEK
5	STEM	17-4PH
6	THRUST WASHER	DERLIN / PEEK
7	BODY SEAL	DERLIN/GRAPHITE
8	STEM PACKING	25% CARBON FILLED
9	UPPER THRUST WASHER	TFM 1600
10	GLAND	SS304
11	BELLEVILLE WASHER	SS304-CSP
12	LOCK CLIP	SS304
13	STEM NUT	SS304
14	HANDLE	SS304
15	HANDLE NUT	SS304
16	HANDLE SLEEVE	VINYL
17	O-RING	VITON
18	BODY SPRING WASHER	SS304 / S45C
19	BODY BOLT	SS304 / SCM440
20	STOP PLATE	SS304
21	ADAPTOR	ASTM A351 CF8
22	NUT	A2-70
23	BOLT	SS304
24	END SEAL	PTFE
25	BODY NUT	SS304 / S45C
26	STOP PIN	SS304



Dimensions (mm):

SIZE	d	L	H	W	S	H1	H2	A	ISO 5211	N	M	
1/4	8	9.5	85	61	151	9	10.1	7.0	M5	F03	6	5/16-18UNC
3/8"	10	11.6	85	61	151	9	10.1	7.0	M5	F03	6	5/16-18UNC
1/2"	15	16.0	89	67	151	9	14.8	10.3	M5	F04	8	5/16-18UNC
3/4"	20	20.0	102	81	183	9	12.0	10.0	M5	F04	8	5/16-18UNC
1"	25	25.0	129	95	183	11	22.3	13.3	M5	F04	8	3/8-16UNC
1-1/4"	32	32.0	139	113	285	14	33.2	17.5	M6	F05	8	3/8-16UNC
1-1/2"	38	38.0	148	117	285	14	28.0	17.5	M6	F05	8	1/2-13UNC
2"	50	50.0	168	125	285	14	19.8	17.5	M6	F05	8	9/16-12UNC

Copyright © 2020 by DIE ERSTE INDUSTRY CO., LTD. Series HP32-6000 BARSTOCK V4.1

Due to continuous development of the products, dimension and information contained in the document as required without notice. For specific performance data and proper material selection, please consult with your DIE ERSTE representatives

DIE ERSTE INDUSTRY CO., LTD. is an ISO 9001:2015 DIE ERSTE GROUP registered company with operations in Taiwan and China.